

# Instructions for use ENCLOSURES



**Laboratory enclosures with  
different fronts**  
(not certified)

Remo Dietsche

©Kanya AG 2024

9.1.2025

Version 1.2

automatically translated  
from German, only the  
German instruction applies

# Table of contents

1	General.....	3
1.1	Purpose of this Instruction Manual .....	3
1.2	Purpose of the enclosure .....	3
1.3	Permissible storage / place of use .....	3
1.4	Presentation conventions.....	3
1.5	Storage.....	3
1.6	General requirements for staff.....	3
1.7	Customer Service Information and Feedback.....	3
1.8	Summary of contents and completeness .....	3
1.9	Proof of change.....	4
2	Description.....	5
2.1	Tax bases.....	5
2.2	General Specifications (Technical Product Data).....	5
2.3	Nameplate .....	6
2.4	Exemplary components of an enclosure .....	7
2.5	Graphical representation of various enclosures.....	9
2.5.1	Enclosure with vertical slider .....	9
2.5.2	Enclosure with telescopic slider.....	10
2.5.3	Enclosure with transverse slider (2-fold).....	11
2.5.4	Enclosure with hinged doors, connected at the bottom.....	12
2.5.5	Enclosure with hinged doors, open at the bottom and corner exhaust duct .....	13
2.5.6	Enclosure open .....	14
2.6	Equipment and options.....	15
2.6.1	Surface Elements .....	15
2.6.2	Exhaust air nozzle .....	15
2.6.3	Cable .....	16
2.6.4	Counterbalances .....	16
2.6.5	Adjustable feet.....	17
2.6.6	Foundation bracket.....	17
2.6.7	Combinations of different enclosure types .....	17
2.6.8	Lamps.....	17
2.6.9	Special machining / special solutions .....	17
3	Safety .....	18
3.1	Safety instructions in the document.....	18

3.2	Explanation of the symbols of the safety instructions .....	19
3.3	Intended use .....	20
3.4	Security-conscious work .....	20
3.5	The following are not allowed: .....	20
3.6	Exclusion of use.....	20
3.7	Organizational measures .....	20
3.8	Assembly, maintenance and repair .....	21
3.9	Other regulations to be observed.....	21
4	Delivery and installation .....	22
4.1	Packaging .....	22
4.2	Transport.....	23
4.3	Shipment to destination .....	23
4.4	Unwrap .....	23
4.5	Scope of delivery.....	23
4.6	Setting up / assembly.....	23
5	Testing, operation and maintenance.....	24
5.1	Testing at Kanya.....	24
5.2	Testing before the first commissioning .....	24
5.3	Testing before each assignment .....	24
5.4	Normal operation opening and closing .....	24
5.5	Fault operation, to be taken into account when preventing fall.....	25
5.6	Regular inspection .....	27
5.7	Cleaning .....	27
5.7.1	Cleaning agents for the different materials.....	27
5.8	Most important inspection points to be documented and their time intervals .....	28
5.9	Changing wire ropes .....	28
6	Repair.....	28
6.1	Spare parts list (wear parts).....	29
7	Disposal.....	29
8	Grounds .....	30
8.1	Inspection sheet for annual inspection .....	30
8.2	Notes.....	31

# 1 General

## 1.1 Purpose of this Instruction Manual

The instructions for use are intended to facilitate and ensure safe and accident-free operation. The instructions for use contain instructions for safe operation, maintenance and installation.

## 1.2 Purpose of the enclosure

The enclosure is intended for customer assembly directly on the floor (walk-in) or on suitable table furniture or similar. It may only be operated indoors, in dry rooms.

The enclosure serves as a spatial barrier, as a separating protective device for industrial applications, from two zones.

## 1.3 Permissible storage / place of use

The enclosure was designed exclusively for use inside buildings and is not permitted as a barrier against an outdoor area. The system was designed for a temperature range of +15°C to 35°C and is therefore not permitted as a barrier to cooling zones. The system was not designed against environmental influences such as wind, precipitation, condensation, etc. During transport and interim storage, it is also important to ensure that the enclosures are not exposed to moisture, as mentioned above.

The substructure of the enclosure (e.g. table furniture) must be stable enough to be able to support the enclosure safely. In case of doubt, the Kanya company should be consulted regarding dead weight.

## 1.4 Presentation conventions

The illustrations of our products shown are exemplary. Dimensions, colours and visual effects may differ from the pictorial representations.

## 1.5 Storage

The instructions for use must be available, accessible and viewable on site. Maintenance work and all changes to the system, in particular retrofits or conversions, must be recorded in writing in an issue defined by the operator.

## 1.6 General requirements for staff

All handling described in this instruction manual may only be carried out by trained personnel authorized by the operator.

## 1.7 Customer Service Information and Feedback

If you do not understand the instructions for use or parts of it, or if you would like to suggest suggestions or additions, please contact us. Please use the following address or contact your local representative.

**KANYA AG**  
**Neuhofstrasse 9**  
**CH - 8630 Rüti**  
**Tel: +41 (0)55 251 58 58**  
**Web: [www.kanya.com](http://www.kanya.com)**

## 1.8 Summary of contents and completeness

- Directions for use
- CE marking on product

## 1.9 Proof of change

Revision number	Date	Author	Short description
1.0	28.05.2024	Remo Dietsche	1. Published version
1.1	12.06.2024	Remo Dietsche	Added cleaning agents and tools
1.2	13.06.2024	Remo Dietsche	Standards adapted

## 2 Description

### 2.1 Tax bases

- 2006/42/EC – Machinery Directive
- EKAS Guideline No.6512
- DIN EN ISO 12100 - Safety of machinery - General design principles - Risk assessment and risk reduction
- **! NOT! built according to EN 14175 (extraction)**

### 2.2 General Specifications (Technical Product Data)

- Manufacturer: Kanya AG  
Neuhofstrasse 9  
8630 Rüti
- Product group: manually operated, non-certified laboratory enclosures
- Execution types: Enclosure with open front  
Enclosure with cross slider  
Enclosure with vertical slider  
Enclosure with telescopic slider  
Enclosure with hinged doors  
Enclosure combined / special
- Dimension indication in name: w x d x h of the enclosure (without column height)
- Profile design: Aluminium profiles base 30 front / corner anodised
- Surface elements: according to the equipment information in Sect. 2.6.1 Surface Elements
- Fall protection type: Double cable suspension (redundant)
- Max. mass vertical slider: 64kg (telescopic slider 21kg per gate leaf)
- Operating temperature: 15°.....35° C
- Humidity range: 40-70% relative humidity

EU declaration of incorporation within the meaning of the EC Machinery Directive 2006/42/EC

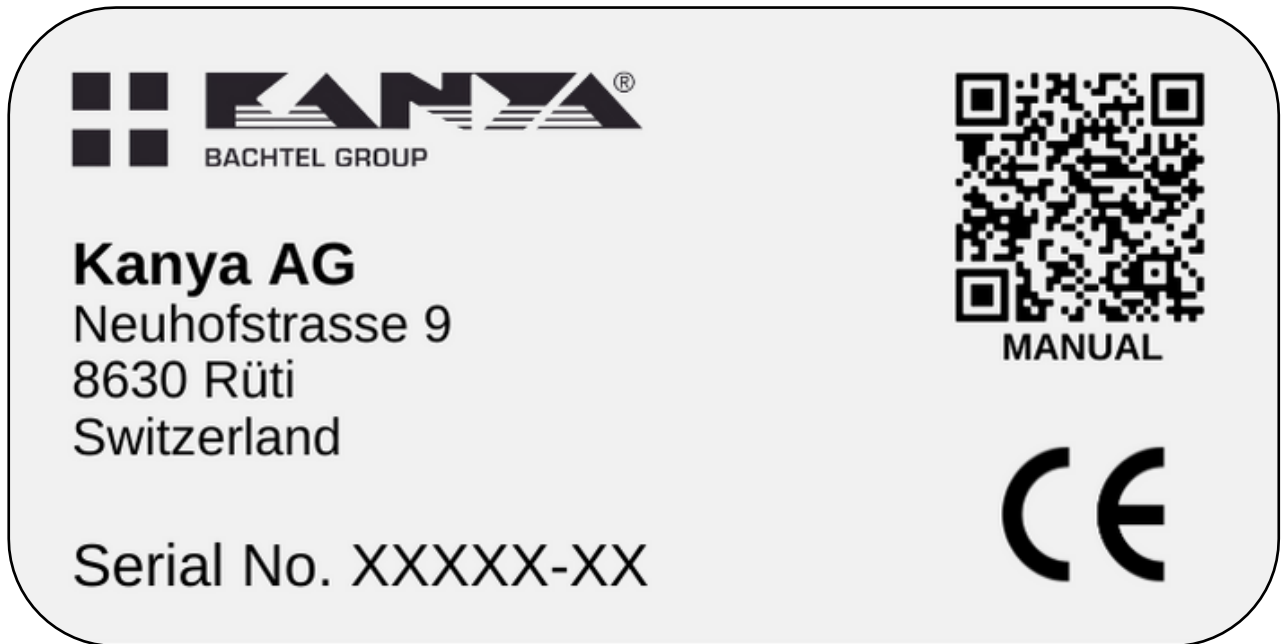
**The copyright of these technical documents remains with Kanya AG. The operating instructions may not be made available without the written consent of Kanya AG, third parties or any competitors of Kanya AG.**

**Subject to change. All information was prepared to the best of our knowledge and belief. However, a liability cannot be derived from this.**

## 2.3 Nameplate

A nameplate should be attached to each enclosure from the delivery date of 01.05.2024 according to the template below. This includes:

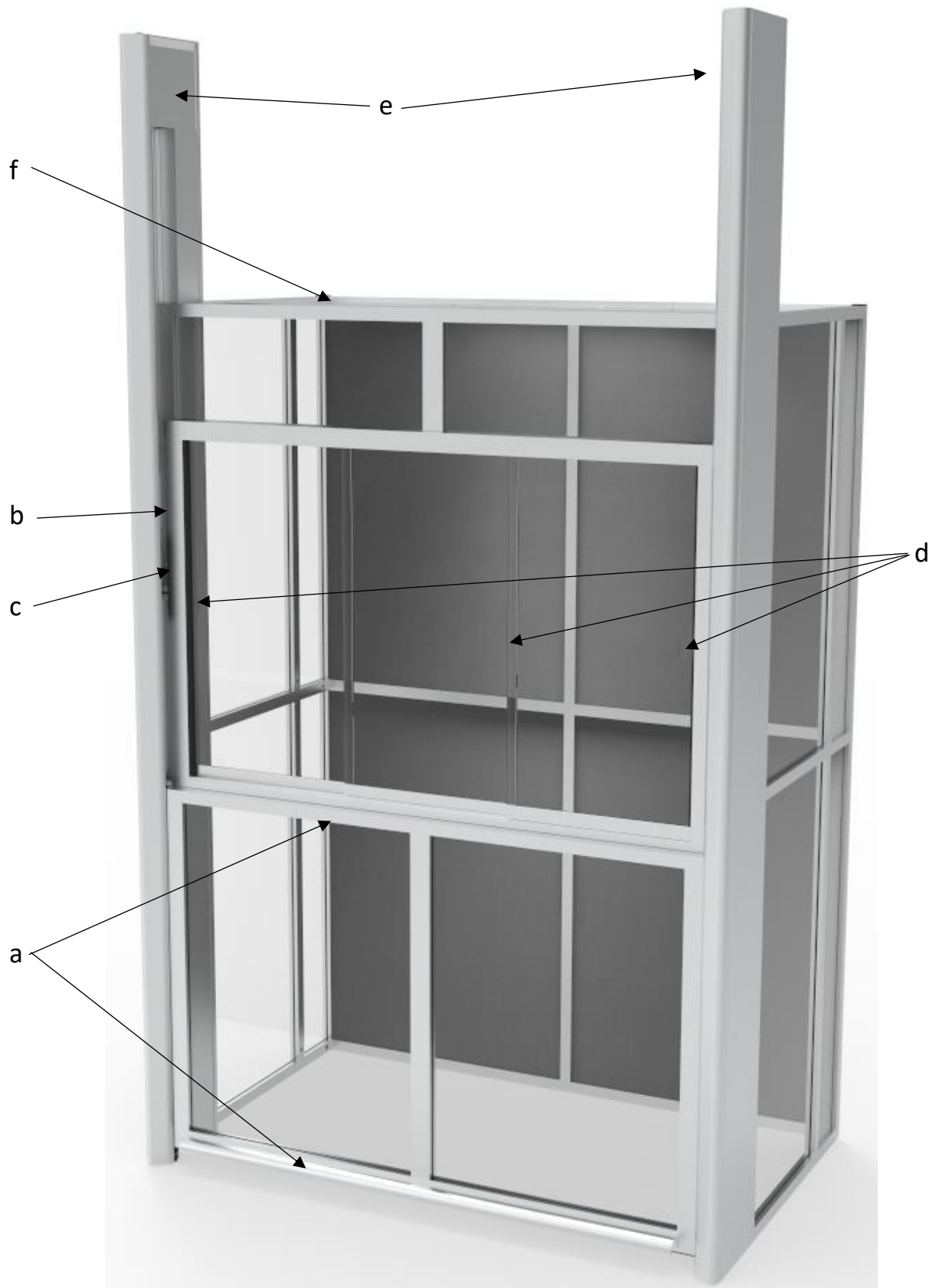
- Kanya logo with company address
- CE marking
- QR code with direct link to the current user manual
- Serial number composed of the order number (first 5 digits and a consecutive number at the end (necessary if more than one enclosure is included in an order)



For maintenance requests, we need the serial number so that we know which enclosure it is.

## 2.4 Exemplary components of an enclosure

The most important components are described below as examples of all enclosures. Many components come in several types and the other construction methods are much less complex.





Consisting of (main components):

- a. Handles for manual operation (here only shown at the bottom, on request also possible at the top of the door)
- b. Wire ropes 2x left and 2x right per door leaf (redundancy as fall protection), here a total of 8 cables, as the shown door has two gate leaves
- c. Carabiner for connection of gate leaf suspensions with wire ropes
- d. Recessed grips in transverse sliders
- e. Deflection units, here in the covered option and in the telescopic slide design (pulley system for different travel speeds)
- f. Top panel elements only laid on → the "suspension profile" is suspended in profiles, on which the surfaces can be placed. The suspension profile is flush with the other profiles

## 2.5 Graphical representation of various enclosures

The operating point for the user is marked with a pictogram and the direction of movement of the door is visualised.



→ Indicates where to find the nameplate with serial number

### 2.5.1 Enclosure with vertical slider



## 2.5.2 Enclosure with telescopic slider

(shown here with integrated 3-fold transverse sliders in the upper vertical slider)



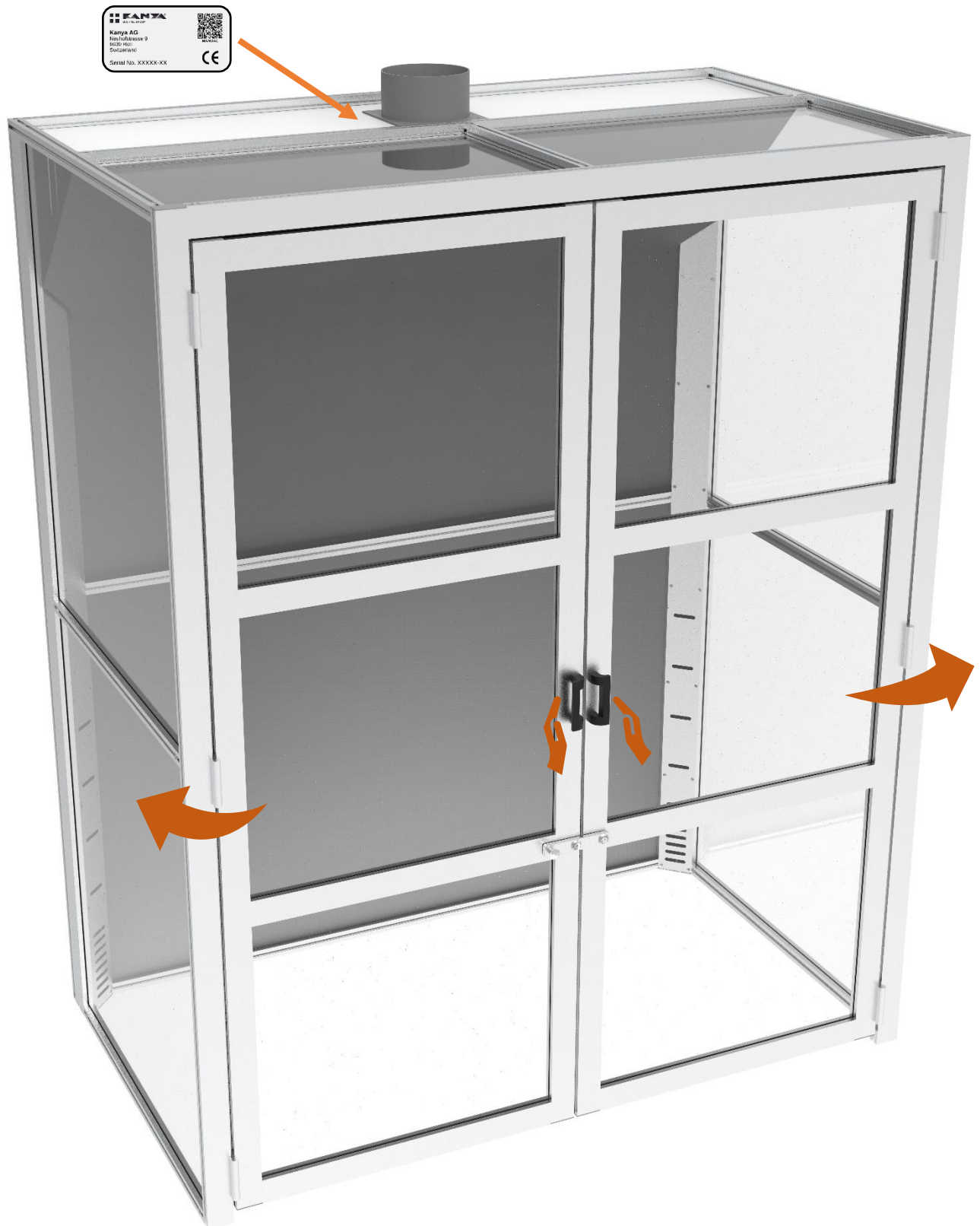
### 2.5.3 Enclosure with transverse slider (2-fold)



### 2.5.4 Enclosure with hinged doors, connected at the bottom



## 2.5.5 Enclosure with hinged doors, open at the bottom and corner exhaust duct



### **2.5.6 Enclosure open**

Certain projects require enclosures, which are and remain open at the front. There is currently no concrete example of this. This will be added in a later version.

## 2.6 Equipment and options

### 2.6.1 Surface Elements

Unless otherwise mentioned in the order, the configuration of the surface elements is as follows:

- Side/rear wall, skylight and door leaf: ESG 5mm inlaid with insert profile B39-51
- Front or side roof area: ESG 5mm on Suspension Profile S91-013
- Rear or middle roof area: VKP 5 mounted on suspension profile S91-013

In the following, it is explained exactly what kind of surface elements are mentioned above and what can be optionally configured. In general, it should be noted that surface elements up to max. 6.38mm (VSG 6mm) can be inserted into the grooves and that no maximum thickness is defined for the supports (roof).

ESG 5mm	Toughened safety glass (or tempered glass), 5mm thick
VKP 5mm	Argolite solid core top with black core, white décor on both sides 306 AM, 5mm thick
ESG 6mm	Toughened safety glass (or tempered glass), 6mm thick
VSG 6mm	Laminated safety glass, 3mm pane + 0.38mm foil + 3mm pane, 6.38mm thick
PET-G 5mm	Polyethylene terephthalate with glycol modification, crystal clear, transparent, 5mm thick
PC 5mm	Polycarbonate, crystal clear, transparent, 5mm thick
PMMA 5mm	Polymethyl methacrylate «Acrylic glass», crystal clear, transparent, 5mm thick

Special surface In rare cases, other surface elements requested by the customer may also be installed, the specification of which can be found in the order documents

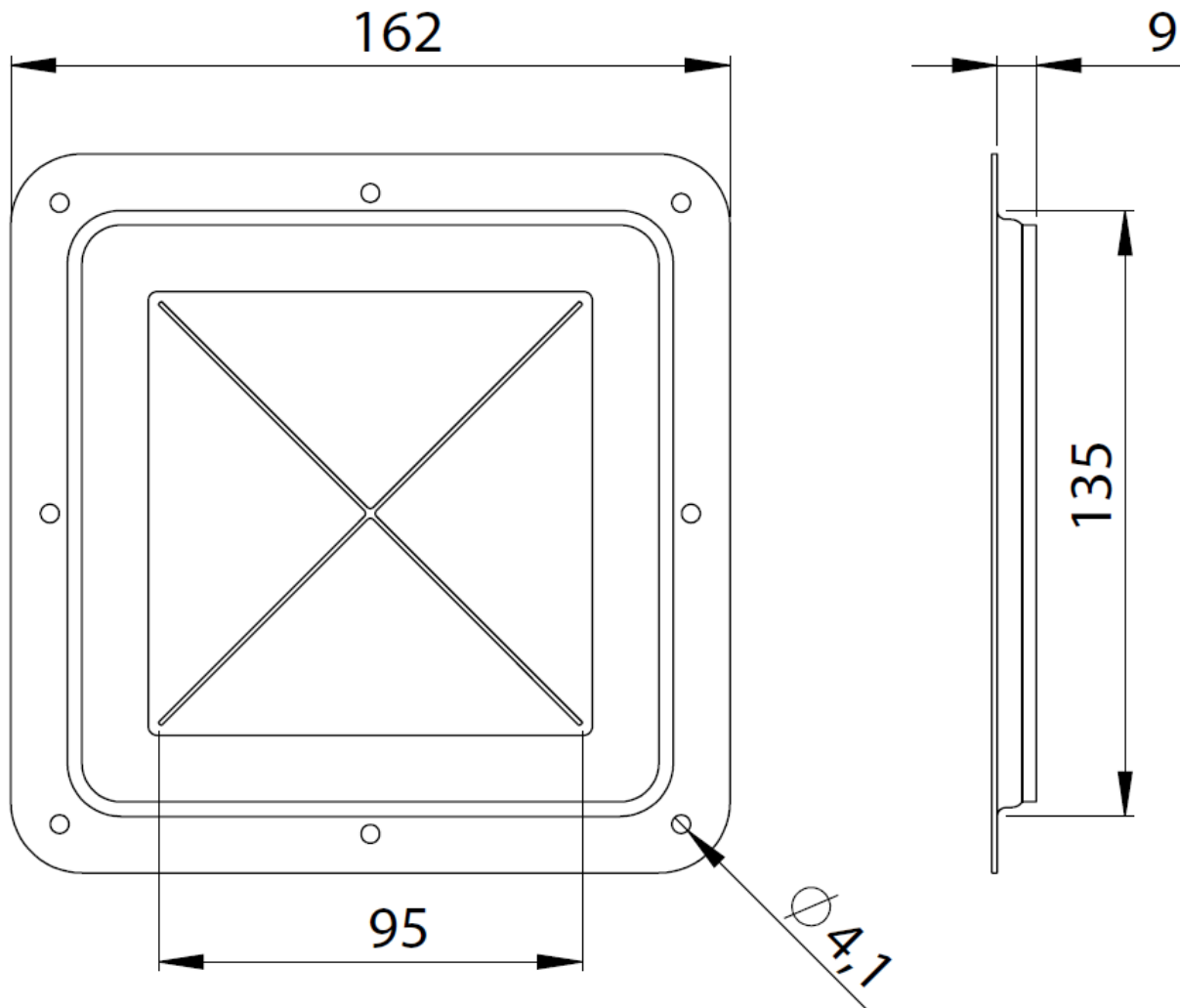
### 2.6.2 Exhaust air nozzle

The standard includes an exhaust air nozzle made of PPS. This is available in diameters Ø125, Ø160 and Ø250. Other diameters are also available as special sizes. The nozzle tube is 100mm high and is usually screwed onto a VKP 5mm, which covers the rear or middle roof area. Customer-side exhaust air nozzles with prefabricated special machining in the VKP 5mm are also possible.



### 2.6.3 Cable

Optionally, cable grommets on the enclosures can also be ordered. If the cable grommet is not specified, it is Kanya article N3310:



This cable grommet is screwed to the surface element at the desired point with the appropriate special processing. The frame is made of galvanized steel and the surface is made of an elastomer, which has a predetermined breaking point designed as an X. Plugs up to  $\varnothing 95$  can be pushed through this cable grommet and it only needs to be opened as far as necessary thanks to the predetermined breaking point.

### 2.6.4 Counterbalances

The vertical slider and telescopic slider have a counter-rotating compensating weight, which is coupled via two (vertical slides) and four (telescopic slides) wire ropes on each side. In the other enclosure variants, there is no vertical movement, which is why the counterweights are omitted.

The fall protection of the vertical or telescopic slider is implemented via redundantly designed wire ropes.

### **2.6.5 Adjustable feet**

Optionally, the enclosures can also be ordered with adjustable feet. Unless otherwise stated, there are two adjustable feet directly in the rear corner profiles and two on brackets, which are located on the front pillars (vertical sliders) or also directly in the front corner profiles (other housing types).

It is also possible to attach all adjustable feet to the enclosure by means of brackets. In this way, you can prevent the minimum gap, which is defined by the minimum installation height of the adjustable feet, from being reduced by pushing the angles in the groove further up. It should be noted that this requires a different design of the enclosure.

### **2.6.6 Foundation bracket**

In the case of enclosures that are not connected to a profile at the front of the ground, we recommend screwing the enclosure to the ground on both sides after alignment at the destination. This helps to ensure that the management clearance and any behaviour of locking mechanisms in operation do not change and that there is a "plumbing" or "jamming". Suitable foundation angles can be ordered as an option.

### **2.6.7 Combinations of different enclosure types**

Special projects require special enclosures. Individual solutions, such as vertical sliders with integrated transverse sliders, or enclosures accessible on several sides are also possible. In doing so, we always try to deviate as little as possible from the standard solutions and the modular system so that the handling remains as familiar and intuitive as possible for the user.

### **2.6.8 Lamps**

Lamps are available as an option, a quickly deliverable and intuitive solution is in the works and will be added as soon as we are convinced of the solution we have developed.

### **2.6.9 Special machining / special solutions**

This instruction manual can also be included with products that at first glance are not enclosures. These only contain certain parts, such as a front slider. As we respond to individual customer requests, the actual products may differ greatly from the illustrations in this instruction manual.

## 3 Safety

### 3.1 Safety instructions in the document

Failure to comply with the above instructions may result in the loss of claims under product liability or warranty.



#### DANGER

**DANGER** indicates a hazardous situation which, if not avoided, will result in death or serious, irreversible injury.



#### WARNING

**WARNING** indicates a hazardous situation which, if not avoided, could result in death or serious, irreversible injury.



#### CAUTION

**CAUTION** indicates a hazardous situation which, if not avoided, may result in minor, reversible injuries.

#### NOTE

**NOTE** indicates a situation that can result in material damage if it is not avoided.

#### REMARK

**REMARK** emphasises important information that must be observed for the safe and proper use of the device.

## 3.2 Explanation of the symbols of the safety instructions



**Prohibition:**  
Leaning is prohibited



**Prohibition:**  
Entering the area prohibited



**Warning:**  
Indication of potential hazards that can lead to minor bodily injury. This is also considered a warning of possible property damage.

**Warning:**  
Possible imminent danger due to crushing – serious or minor injuries can occur.



**Warning:**  
Risk of tipping over  
There may be a risk of the structure tipping over – serious or minor injuries may occur.



**Commandment:**  
Follow the instructions  
Each user must have read and understood this instruction manual before using it to ensure a safe and proper workflow. Therefore, this instruction manual must be available to all users at all times.

### 3.3 Intended use

- Use the enclosure according to the instructions in this instruction manual.
- Use only as intended (chapter "General"). Improper use can lead to considerable personal injury and property damage.
- Use only in perfect technical condition.
- When the doors are closed, there must be no objects within the range of movement of the door leaves, in particular no body parts
- Safety elements such as screens must always be attached and used as intended
- Enclosure must always be horizontally aligned (max. 0.5° angle of inclination)
- Operate only by instructed personnel

### 3.4 Security-conscious work

- Read the instructions for use first.
- Always work in a safety- and hazard-conscious manner.
- Accompanying and observing doors during all movements.
- Regularly check wire ropes, suspensions and guides for defects.
- Report damage and defects immediately to the person in charge.
- Repair the enclosure first, then continue working!

### 3.5 The following are not allowed:

- Additional loads on or on the enclosure that are not explicitly mentioned in the order
- Bumps, blows
- Attachment of additional components to the sliders and/or the counterweights
- Replacement of components on the sliders and/or the counterweights without consultation with the Kanya company
- Sit, stand or lie on the enclosure
- Leaning against the enclosure
- Outdoor use

### 3.6 Exclusion of use

- Not suitable for operation in constant vibrations.
- Not approved in potentially explosive atmospheres.
- Not suitable in aggressive environments.

### 3.7 Organizational measures

- Ensure that this instruction manual is always available.
- Ensure that only sufficiently qualified and authorized personnel operate, maintain and repair the device.
- Ensure that these personnel are regularly instructed in all relevant issues of occupational safety and environmental protection, as well as are familiar with the operating instructions and in particular the safety instructions contained therein.
- Regularly check that it is in good working order.
- Check at regular intervals whether work is being done in a safety- and hazard-conscious manner.

### **3.8 Assembly, maintenance and repair**

- Only by qualified personnel!
- Do not modify or modify safety-relevant parts.
- All planned changes must be approved in writing by Kanya AG.
- The maintenance work prescribed in the operating instructions (cleaning, maintenance, inspection, etc.) must be carried out on time.

### **3.9 Other regulations to be observed**

- Country-specific regulations
- Accident prevention regulations
- Information / Type Plates

## 4 Delivery and installation

The following points apply if nothing order-specific has been agreed or mentioned.

### 4.1 Packaging

If the size of the enclosure allows, it will be delivered on a Euro pallet. If the enclosure is larger, a one-way crate is made, as can be seen below:



Since the roof surfaces are only placed in the insertion profiles, the enclosure is pressed over the roof onto the EU pallet or crate by means of polystyrene panels. Alternatively, they can also be fixed with a blue foam. This ensures that the roof surfaces cannot pop out during transport. Below is an example:



## 4.2 Transport

Unless otherwise agreed, transport from Kanya to the desired delivery location will be arranged. It should be noted that the transport costs are not included in the item price. These will be specified separately in the order/offer. If these are not listed, the transport will be charged according to expenditure when invoicing. In general, Kanya delivers FCA according to Incoterm 2020. This means that we pack the goods and load them onto the carrier. After that, the risk and other costs (transport, unloading, etc.) are borne by the buyer. The customer must independently ensure that the necessary equipment is available at the delivery location to unload the enclosure.

## 4.3 Shipment to destination

Arrived at the delivery address and unloaded, the enclosure still has to be brought to its installation site. The customer is responsible for ensuring that the necessary resources are available for internal transport and that it is logistically possible to bring in the enclosure (transport unit, for example, fits through all doors or fits into the lift). It should also be noted that the enclosure does not have to be supported (for example, up a flight of stairs). This is usually not SUVA-compliant (maximum permissible carrying weight per person).

## 4.4 Unwrap

With the delivery note and this instruction manual, you check the completeness of the delivered components. At the same time, you will carry out an initial visual inspection for damage to the delivery.

important when unpacking:

- Wear protective gloves and goggles
- Attention, belts with which the housing is lashed to the shed are under tensile tension! Keep a safe distance when loosening!
- When using knives, make sure that nothing is scratched
- Dispose of packaging materials in accordance with local regulations
- Check if mechanical damage is visible on the components
- If transport damage has occurred, it must be reported immediately to the forwarding agent. If components are missing, report this to the supplier immediately.

## 4.5 Scope of delivery

- Enclosure according to the configuration in the order
- Incl. sign with QR code with link to current instructions for use

## 4.6 Setting up / assembly

Fully assembled enclosures are placed at their destination, aligned horizontally (maximum inclination of 0.5°) and ensured that the sides of the front are aligned parallel to each other to avoid too much or too little play (plumbing/jamming). If foundation brackets are supplied, the enclosure must be screwed to the floor/table to prevent tipping hazards! If necessary, a silicone joint can be made.

Hint:

If the enclosure is delivered partially assembled or an external mounting is ordered by Kanya, the order-specific information must be observed.



## 5 Testing, operation and maintenance

### 5.1 Testing at Kanya

The enclosure was subjected to an internal audit at Kanya AG.

### 5.2 Testing before the first commissioning

The enclosure must be inspected by an expert before it is used for the first time at the operator's site. Any defects (e.g. transport damage) must be remedied.

The test before the first use is in the essential visual and functional tests. They must extend to the examination of the condition of the components and equipment, to the intended assembly, as well as to the completeness and effectiveness of the safety equipment.

An expert is someone who, due to his or her professional training and experience, has sufficient knowledge in the field of front slides/telescopic slides and is familiar with the regulations and standards to such an extent that he or she can assess the safe condition at work.

### 5.3 Testing before each assignment

The enclosure is to be tested by the user before each use. These tests are essentially visual and functional tests. They must cover the examination of the condition of the components and equipment (deformations), the proper assembly, as well as the completeness and effectiveness of the safety devices. Attention must also be paid to contamination that can affect or restrict the operation of the wire rope hoist.

Basically, what is visually detected (e.g. a rope strand sticks out) or if an unusual background noise occurs during opening / closing, this must be reported and rectified.

### 5.4 Normal operation opening and closing

The opening and closing of the manual vertical sliders is achieved by moving the handle on the lifting door up or down or by using the recessed handles on the transverse sliders.



**Please note: The sliders of the lifting door must not be pressed into the end positions with great force and/or high travel speed. The recommendation is a maximum travel speed of 200 mm/s, whereby the speed should be reduced before reaching the end positions. A normal rolling noise should be heard. In the event of grinding noises, the range of motion must be checked immediately.**

**If you let go of the handle strip or recessed handle, the respective door leaf must automatically remain in this position.**

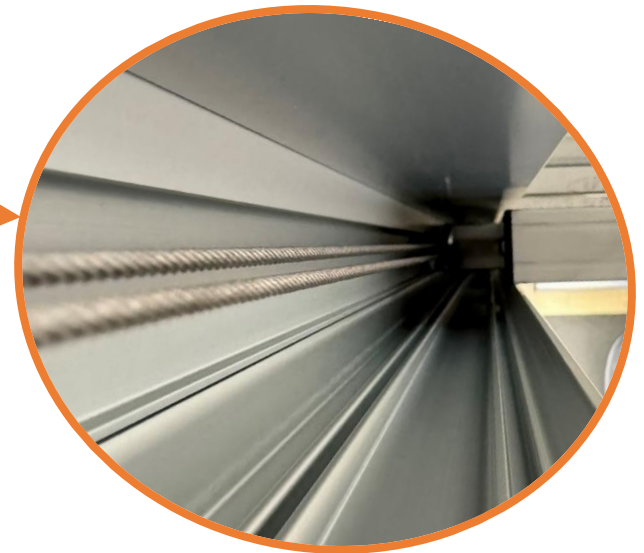
## 5.5 Fault operation, to be taken into account when preventing fall

If a rope breaks, nothing can happen, as there are two ropes installed on each side of each door leaf. A broken rope is usually quickly noticed, as the wire rope protrudes from the column due to the lack of rope tension. Protruding individual rope strands can also announce a rope break.



**Please note: If a rope has broken or protruding rope strands can be seen, the use of the enclosure is prohibited until the complete deflection unit including new wire ropes has been replaced by a competent person. Only original Kanya parts may be used!**

Subsequent areas are to be examined in detail to see whether a rope is broken, damaged or corroded. To ensure that everything is checked, it is important to note that this is done on both sides and that two wire ropes are installed on each side of a single slide and four on a telescopic slide. Shown here is the left side of a single slider, but the places that need to be checked are the same. Some enclosures have covers on the deflectors, these can be removed for annual inspection by removing the countersunk screws mounted from above, removing the cover cap and pulling out the side cover plate upwards.



In order to take a close look at the suspension, the door can be opened in some enclosures be raised so that the suspension is above the roof of the enclosure. So you can see the suspension well from the back.

If you look at the column from the inside from the side, you can see the wire ropes well (picture below left). With the deflections, you can also easily see when a rope is no longer in order. It is also best to move the vertical slide and look at the deflection.



## 5.6 Regular inspection

The contractor must ensure that the enclosure is inspected by an expert at intervals of no more than one year.

Depending on the conditions of use, inspections may be required at shorter intervals than one year. This applies, for example, to particularly frequent use, increased wear, corrosion or heat effects, or if a high susceptibility to malfunctions is to be expected. (e.g. after an open house day)

All moving parts, in particular the deflection unit, the rope hoists, the counterweights, fall protection elements (two ropes are available on both sides of each vertical slide?) and its screw elements, etc., must be checked for completeness, functional safety, as well as wear and mobility.

## 5.7 Cleaning

The enclosures must be kept clean at all times. The following points must be considered:

- The profile grooves in which the plastic guides run are best cleaned several times using a microfibre cloth, and the groove flanks are particularly important.
- Only the following cleaning agents and tools should be used for the various materials (if something is installed due to a special order that is not listed below, contact the appropriate project manager if you have any questions about cleaning)

### 5.7.1 Cleaning agents for the different materials

Material	Detergent	Tool	Forbidden
Aluminum (raw or anodized)	clear water + detergent, special Anodising cleaner	Microfiber Cloth, Cleaning Sponge	do not use acidic detergent or green sponge side
Raw steel / black	clear water + detergent	Microfiber cloth	no abrasives
Galvanized steel	clear water + detergent	Microfiber Cloth, Cleaning Sponge	do not use abrasive medium or green sponge side
Stainless steel (INOX)	clear water + detergent, acidic/alkaline CA	Microfiber Cloth, Cleaning Sponge	
Glass (ESG or VSG)	clear water + detergent	Microfiber cloth, cleaning sponge, squeegee	no abrasive cleaning agents (maximum white pad)
Polycarbonate (PC)	clear water + detergent	Microfiber Polishing Cloth or Cotton Cloth	no abrasives, thinners, acetone, alcohol-based cleaners
Acrylic glass (PMMA)	clear water + detergent	Microfiber Polishing Cloth or Cotton Cloth	no abrasives, thinners, acetone, alcohol-based cleaners
Solid core board (HPL melamine resin)	clear water	Moist (not wet) soft sponge	no abrasives
Polyphenylene sulfide(PPS)	clear water + detergent, basic cleaning with alkaline cleaner	Microfiber cloth, soft sponge (no pad)	no hydrochloric acid, no nitric acid, no abrasive cleaning agents
PET-G	clear water + detergent pH-neutral	Microfiber Polishing Cloth or Cotton Cloth	no abrasives
EPDM 70 shore	clear water + detergent pH-neutral	Microfiber cloth	no strong alkalis or acids
Polyvinyl chloride (PVC)	clear water + detergent	Microfiber cloth	no acidic cleaners and no organic solvents
Polytetrafluoroethylene (PTFE)	clear water + detergent	Soft sponge (no pad)	no abrasive cleaning agents
Polyamide 6 (PA 6)	clear water + detergent	Microfiber cloth	no acids and alcohol-containing cleaners
Polyethylene (PE)	clear water + detergent	Microfiber cloth	no oils and fats

## 5.8 Most important inspection points to be documented and their time intervals

In principle, the enclosure within the maintenance interwall is maintenance-free. To prevent excessive wear, the enclosure must be kept clean at all times.

### Maintenance

Inspection of ropes for frayed wires, breaks, corrosion	Accurate visual inspection	1x per year
Movement of the moving parts in the range of motion (grinding noises audible)	Measurement with spring scale* (deviation max. 10%)	2x per year
Position in open state	No movement detectable without external influence	2x per year
Position in closed state	No movement detectable without external influence	2x per year

\* A spring scale should be attached to the handle and both opening and closing force should be measured several times. We recommend 5 measurements, eliminating the highest and smallest values and averaging the other 3. It should be pulled slowly until the door starts moving (overcoming slip-stick). The value is to be compared with the last measurement. If no measurement has yet been taken, the difference will not be determined until the 2nd test

## 5.9 Changing wire ropes

In order to reduce dangers for personnel as much as possible, the wire ropes should only be changed in consultation with Kanya AG. Kanya instructs about the process depending on the broken rope.

## 6 Repair

No repairs may be carried out on the lifting door without consultation with the manufacturer. If a repair is to be carried out by the operator after consultation with the company Kanya AG, a test certificate must be created.

## 6.1 Spare parts list (wear parts)

The following list lists items that need to be replaced after a certain period of time (depending on frequency of use and other environmental influences such as contamination).

Designation	Article	Remark
Deflection Single Front Slide L	BZ6167+Ropes	Deflections can only be ordered as a pre-assembled assembly including wire rope. In the case of an order, the article number of the enclosure must therefore always be indicated
Deflection Single Front Slide R	BZ6702+Ropes	
Deflection telescopic slider L	BZ6157+Ropes	
Deflection telescopic slider R	BZ8928+Ropes	
Stop buffer open position	Z8432	Rubber profile located in the pillars
Stop buffer closed Position	Z8434	Rubber profiles located on the slider
Front slide guide	Z7308	PA sliding guides on the slider
Carabiner	A69-01-1	
Roller to slider	Z8312	We recommend replacing the entire door instead of simply reversing the roles
Axle to transverse slider roller	X7010.03008	
Sliding guide upper transverse	B39-55	Specify length when ordering
Bumper stop (L+R)	A39-86	Specify length when ordering
Sticker "No leaning"	N3016	
Square cable grommet	N3310	
Cover cap left to handle strip	B65-6-L	
Cover cap right to handle strip	B65-6-R	

## 7 Disposal

The lifting door must be disposed of properly (recycled). The country-specific regulations for the various materials must be observed. The material groups can be found in this documentation and in the specific information from the order documents.

# 8 Grounds

## 8.1 Inspection sheet for annual inspection

- 1. Regular inspection on: .....  
Defects: (no ) / (yes) according to the protocol  
Signature of the Qualified Testing Companies
  
- 2. Regular inspection on: .....  
Defects: (no ) / (yes) according to the protocol  
Signature of the Qualified Testing Companies
  
- 3. Regular inspection on: .....  
Defects: (no ) / (yes) according to the protocol  
Signature of the Qualified Testing Companies
  
- 4. Regular inspection on: .....  
Defects: (no ) / (yes) according to the protocol  
Signature of the Qualified Testing Companies
  
- 5. Regular inspection on: .....  
Defects: (no ) / (yes) according to the protocol  
Signature of the Qualified Testing Companies
  
- 6. Regular inspection on: .....  
Defects: (no ) / (yes) according to the protocol  
Signature of the Qualified Testing Companies
  
- 7. Regular inspection on: .....  
Defects: (no ) / (yes) according to the protocol  
Signature of the Qualified Testing Companies
  
- 8. Regular inspection on: .....  
Defects: (no ) / (yes) according to the protocol  
Signature of the Qualified Testing Companies
  
- 9. Regular inspection on: .....  
Defects: (no ) / (yes) according to the protocol  
Signature of the Qualified Testing Companies
  
- 10. Regular inspection on: .....  
Defects: (no ) / (yes) according to the protocol  
Signature of the Qualified Testing Companies
  
- 11. Regular inspection on: .....  
Defects: (no ) / (yes) according to the protocol  
Signature of the Qualified Testing Companies
  
- 12. Regular inspection on: .....  
Defects: (no ) / (yes) according to the protocol  
Signature of the Qualified Testing Companies
  
- 13. Regular inspection on: .....  
Defects: (no ) / (yes) according to the protocol  
Signature of the Qualified Testing Companies

